

3D MiniLift™

Go Anywhere Portability for 3D SCANNER

Patent Pending



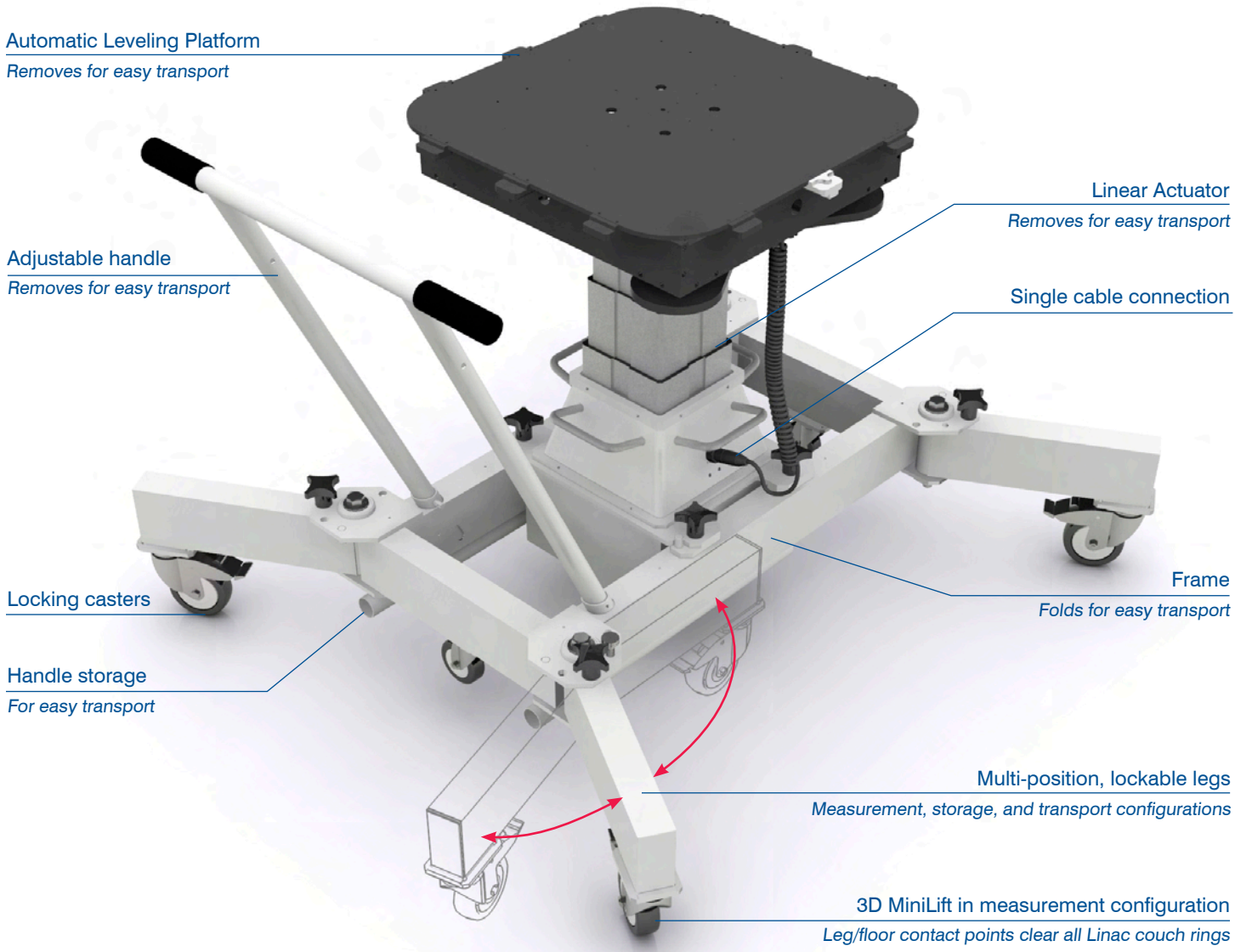
3D MiniLift in Storage configuration: Small footprint requiring less space

Hardware

- > Part of a convenient and portable 3D SCANNER system
 - Straddles the Linac couch ring for stability
 - Supports all 3D SCANNER and Auto Setup functionality
 - Quick and easy breakdown for transportation
 - Easily stored, requires less space
- > Highly maneuverable for easily transporting the system from room to room
- > Fits through standard size doorways
- > Ease of use
 - Small size
 - Light weight
 - Portable
- > Single cable connection



3D MiniLift in Transport configuration: Easy to fit through standard size doorways



Vertical height min. (cm):	57.0
Vertical height max (cm):	95.0
Vertical stability (mm):	1.0
Configuration dimensions (cm)	
Measurement:	123.0 x 113.0 x 58.0 (L x W x H)
Storage:	94.0 x 63.0 x 58.0 (L x W x H)
Transport:	152.0 x 72.0 x 58.0 (L x W x H)
Disassembled dimensions (cm)	
Automatic Leveling Platform:	62.0 x 62.0 x 13.0 (L x W x H)
Actuator:	35.0 x 40.0 x 49.0 (L x W x H)
Frame:	94.0 x 63.0 x 32.0 (L x W x H)
Total weight (kg):	105.0
Individual component weight (kg):	
Frame assembly:	41.0
Actuator assembly:	37.0
Handle:	4.0
Leveling Platform:	23.0

3D Reservoir



> Optional 3D Reservoir available