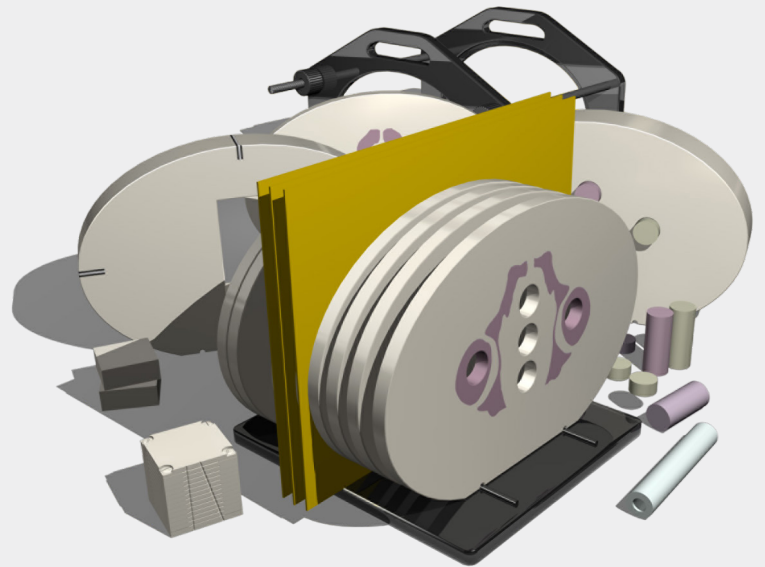


IMRT Pelvic 3D Phantom

- Verify heterogeneity corrections
- Correlate CTU to electron density
- Check dose distributions in sensitive areas
- Check depth doses and absolute dose
- 2D and 3D isodose
- Calibrate film with ion chamber and other detectors



Complete QA from CT Imaging to Dose Verification

The IMRT Pelvic 3D Phantom for film and ion chamber dosimetry is designed to address the complex issues surrounding commissioning and comparison of treatment planning systems and complete system QA from CT imaging to dose verification.

Tissue Equivalent Technology

The Pelvic 3D Phantom properly represents human pelvic anatomy in shape, proportion and structure as well as density. This enables thorough analysis of both the imaging and dosimetry system. Elliptical in shape, the phantom approximates the size of an average patient, and has a tissue equivalent three dimensional skeleton. It's constructed of proprietary tissue equivalent epoxy materials.

The phantom includes four different Electron Density reference plugs which can be interchanged in five separate locations within the phantom. The surface of the phantom is marked with alignment marks to ensure proper orientation of the CT slices and accurate film to plan registration.

¹The CIRS line of IMRT phantoms is compatible with the RIT 113 software for film to plan analysis. GafChromic® is a registered trademark of International Specialty Products, Wayne, NJ.

