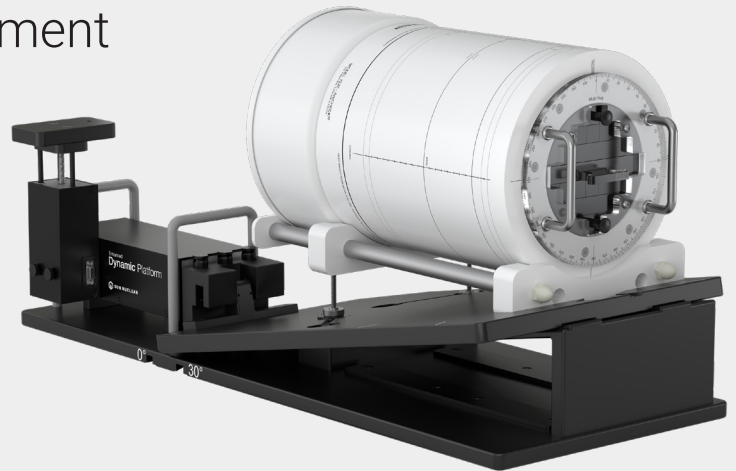


# MotionCHECK™ 3D

## Accurate QA of Motion Management Capable Delivery Systems

Motion**CHECK 3D** provides quality assurance of tumor tracking and dynamic delivery for solutions like the Accuray Radixact® System with Synchrony® and those that utilize breath-hold gating like the Radixact System with VitalHold™



2D Motion Setup

### Features and Benefits

Enhanced Dynamic Platform:

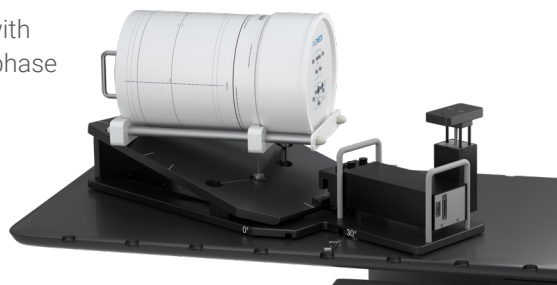
- Easily set up for 1D, 2D or 3D motion QA
- Proven motion platform design and technology for sub-millimeter accuracy
- Lock-bar locations for 0- and 30-degree rotation setups
- Multiple machined pockets for positioning the ArcCHECK
- 11.3° inclined plane provides +/- 5.0 mm (10 mm total) of motion in posterior-anterior direction
- 30° rotation provides +/- 12.5 mm (25 mm total) of lateral motion
- Surrogate platform simulates posterior-anterior chest wall motion
- Surrogate and phantom motion are independently programmable
- Motion software enables breathing waveforms with different cycles, amplitudes, start positions and phase shifts

ArcCHECK:

- The only true 4D array specifically designed for QA of today's modern rotational deliveries
- 1,386 SunPoint Diode Detectors (0.019 mm<sup>3</sup>)
- Consistent Beams Eye View (BEV) for all gantry angles measuring entrance and exit dose
- MultiPlug inserts with fiducials and tissue mimicking 'tumor' for easy tracking

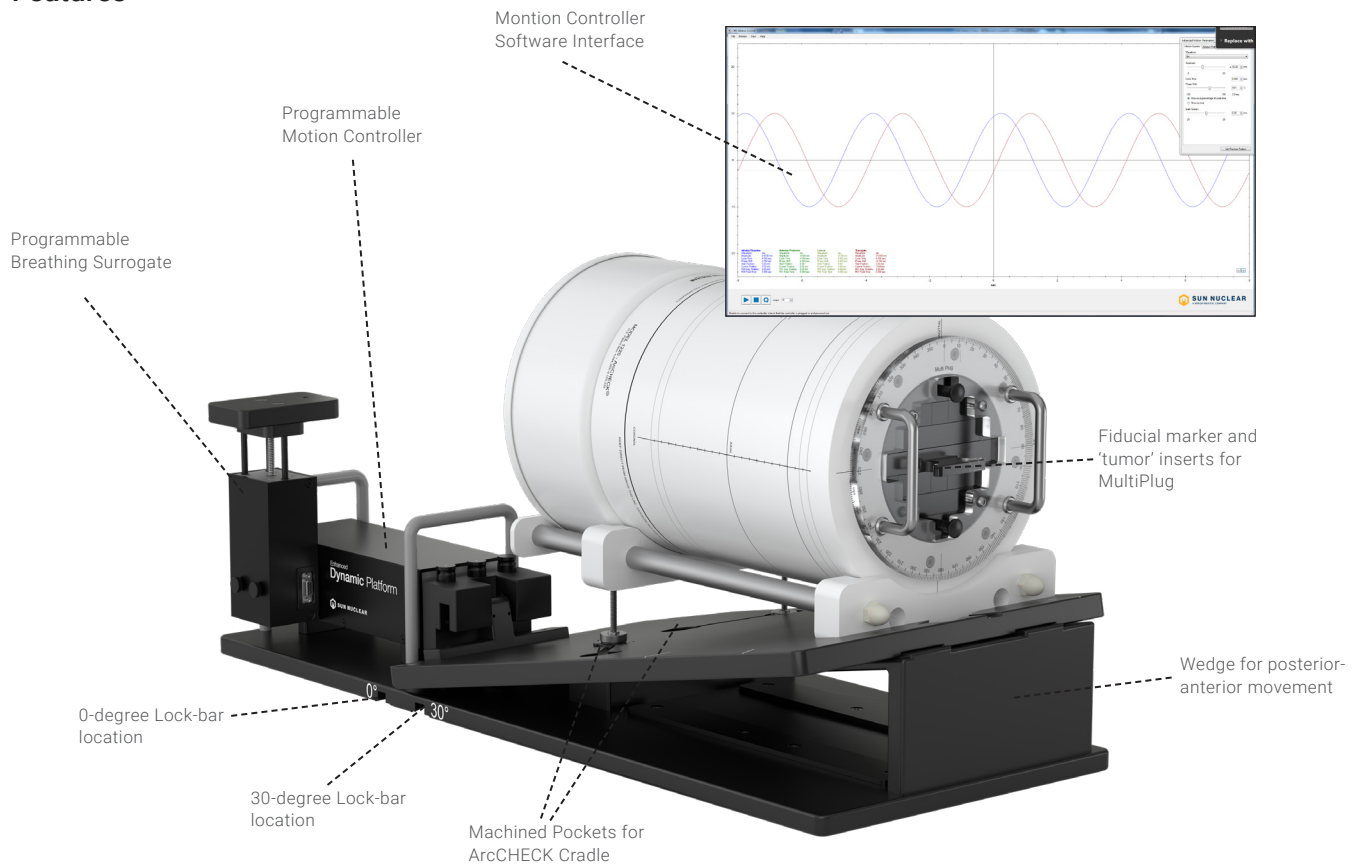


1D Motion Setup



3D Motion Setup

## Features



## Specifications

|   |  |
|---|--|
| <b>Dimensions (platform only) (cm)</b>  | 92.3(L) x 37.5(W) x 24.8(H)                        |
| <b>Weight (platform only) (kg)</b>      | 18.4   |
| <b>Weight (with ArcCHECK)(kg)</b>       | 33.8   |
| <b>Position Accuracy (mm)</b>           | +/- 0.1  |
| <b>Maximum Amplitude Inf/Sup (mm)</b>   | +/- 25.0 (50 total)                                |
| <b>Maximum Amplitude Lateral (mm)</b>   | +/- 12.5 (25 total)                                |
| <b>Maximum Amplitude Pos/Ant (mm)</b>   | +/- 5.0 (10 total)                                 |
| <b>Maximum Amplitude Surrogate (mm)</b> | +/- 25.0 (50 total)                                |
| <b>Editable Built-In Waveforms</b>      | sin(t), 1-2cos4(t), 1-2cos6(t), sawtooth, sharkfin |
| <b>Power</b>                            | 110-250 VAC, 50/60 Hz                              |

For ArcCHECK specifications, visit: [sunnuclear.com/products/arccheck](http://sunnuclear.com/products/arccheck)